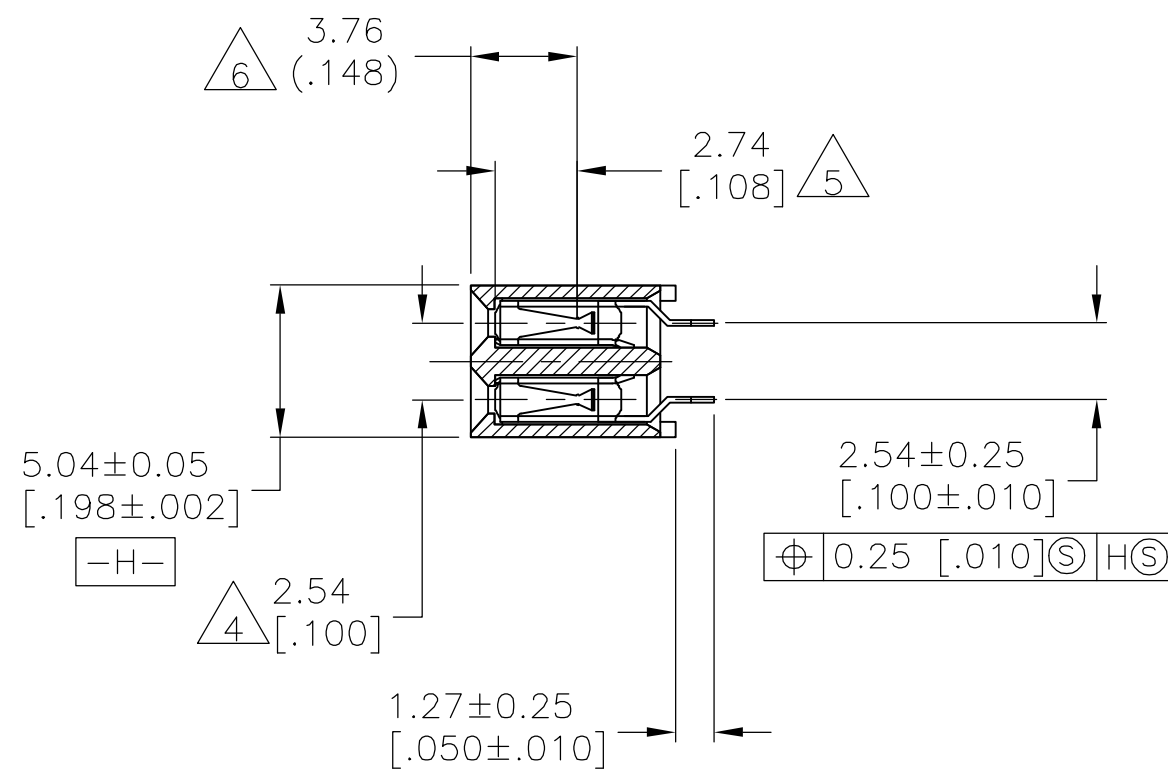
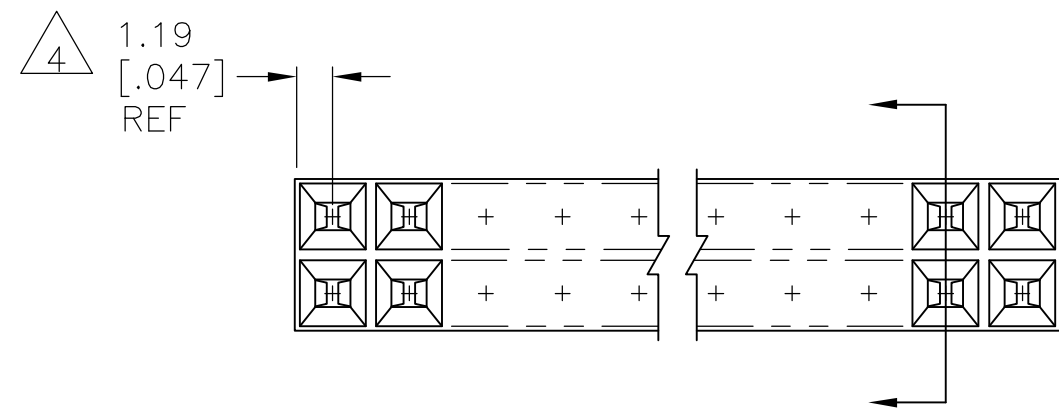
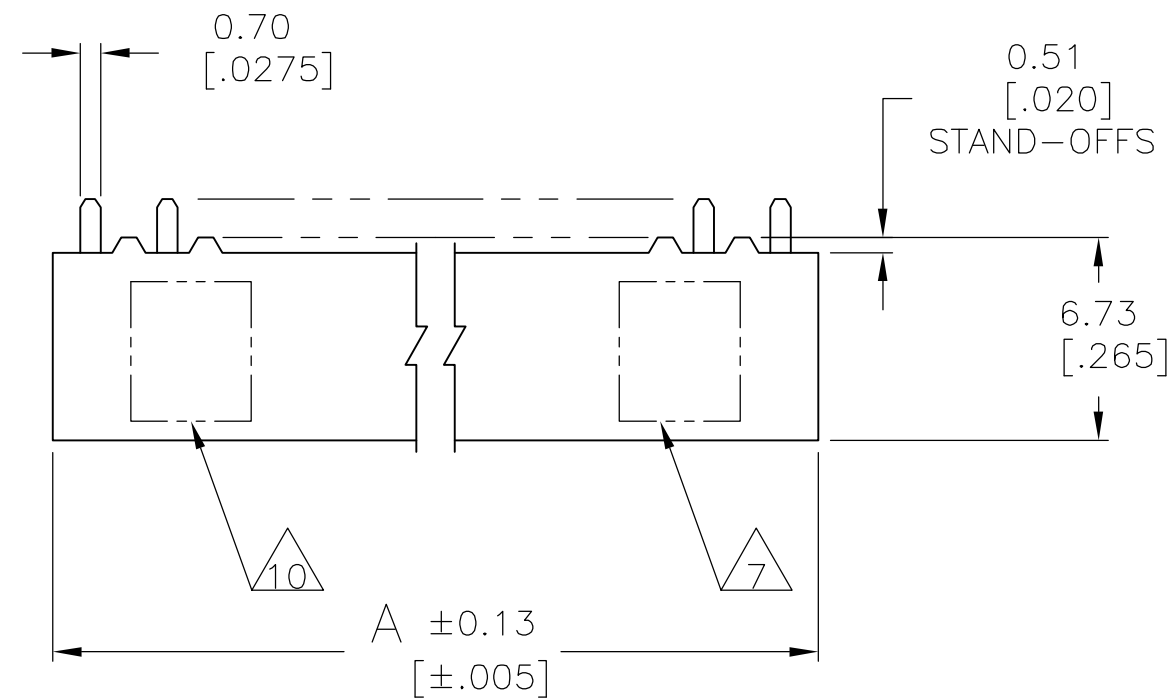
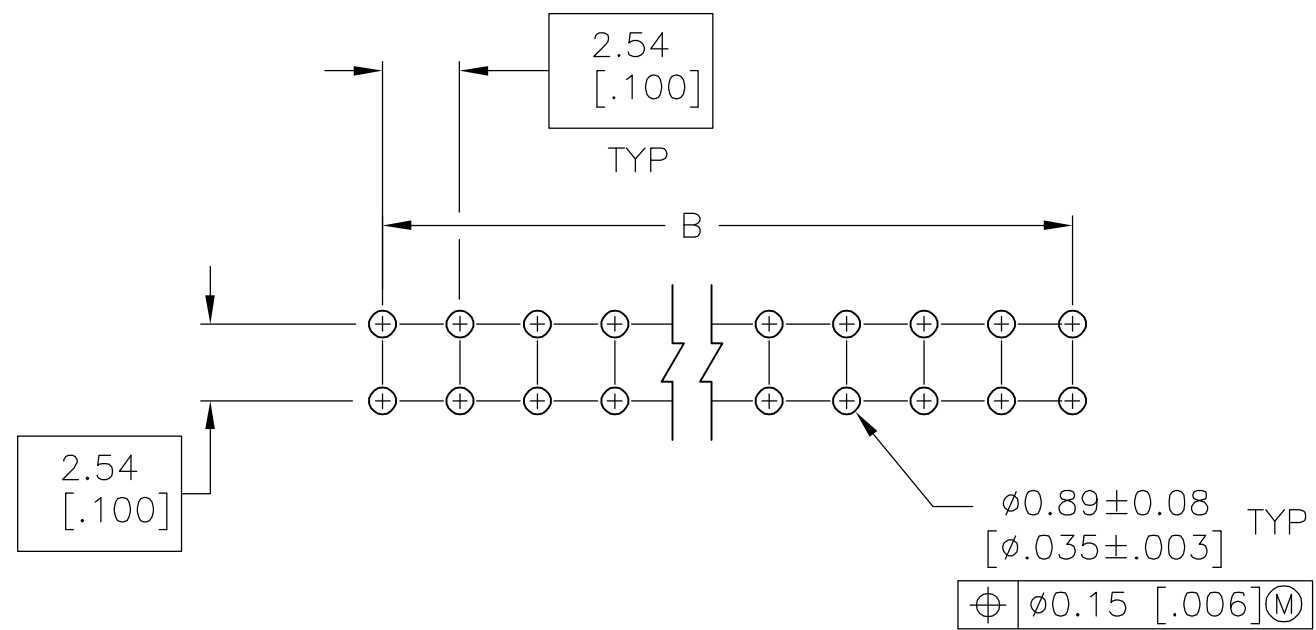


THIS DRAWING IS UNPUBLISHED. RELEASED FOR PUBLICATION
 © COPYRIGHT BY TYCO ELECTRONICS CORPORATION. ALL RIGHTS RESERVED.

LOC	DIST	REVISIONS			
P	LTR	DESCRIPTION	DATE	DWN	APVD
AD	00	K	EC 0G3C 0068 05	07MAR05	BSV JRO



- 1 FLAME RETARDANT POLYESTER PCT, COLOR - BLACK
- 2 PHOSPHOR BRONZE
- 3 DUPLEX PLATED: 0.00076 (.000030) GOLD ON CONTACT AREA ONLY, 0.00381-0.00762 (.000150-.000300) BRIGHT TIN-LEAD ON SOLDER LEADS, ALL OVER 0.00127 (.000050) MINIMUM NICKEL
- 4 THESE DIMENSIONS PERTAIN TO CAVITY CENTERLINES ONLY - NOT TO CONTACT LOCATIONS
- 5 POINT OF MEASUREMENT DIMENSIONS FOR PLATING THICKNESS (INSIDE CONTACT BEAMS)
- 6 POINT-OF-CONTACT DIMENSION
- 7 TYCO LOGO AND CSA LOGO ARE MOLDED INTO THE HOUSING, THIS LOCATION
- 8 DUPLEX PLATED: 0.00076 (.000030) GOLD ON CONTACT AREA ONLY, 0.00381-0.00762 (.000150-.000300) MATTE TIN ON SOLDER LEADS, ALL OVER 0.00127 (.000050) MINIMUM NICKEL
- 9 ROHS 2002/95/EC COMPLIANT
- 10 PART NUMBER AND DATE CODE MARKED IN APPROXIMATE LOCATION SHOWN



RECOMMENDED PC BOARD LAYOUT

8	20.19 [.795]	.700	16	9	5-535615-1
3	20.19 [.795]	.700	16		535615-1
FINISH	A	B	NO OF POSN	PART NUMBER	

THIS DRAWING IS A CONTROLLED DOCUMENT.		DWN	J.MARTINELLI	31/7/92	 Tyco Electronics Corporation Harrisburg, Pa 17105-3608
DIMENSIONS: mm [INCHES]		CHK	BOB FLICKER	31/7/92	
TOLERANCES UNLESS OTHERWISE SPECIFIED:		APVD	BOB FLICKER	31/7/92	
0 PLC ± - 1 PLC ± - 2 PLC ± - 3 PLC ± - 4 PLC ± - ANGLES ± - FINISH		PRODUCT SPEC	NAME		
MATERIAL		APPLICATION SPEC	RCPT ASSY, MOD IV, DBL-ROW, .100		
		WEIGHT	-		CLOSED-ENTRY, VERT-MT, SIDE TO SIDE STACKABLE
CUSTOMER DRAWING		SIZE	A2	CAGE CODE	00779
SCALE		DRAWING NO	C=535615		RESTRICTED TO
4:1		SCALE	4:1		
SHEET		1 OF 1		REV	K